



ENGLISH EDITION

EASYUP[®]

THE STANDING AIDS THAT HELP YOU AS YOU STAND UP

These standing aids have a support structure that accompanies the user throughout the standing sequence.

Standing up becomes a lot easier for users with poor motor control.

Easy tool-free adjustment

The aid is suitable for users who are 140 to 200 cm tall and weighing up to 140 kg.



The model shown is code AV 14 2420



FOR EASIER ACCESSIBILITY:

<1> Access to the aid is made easier and safer by the alignment of the seat with the original seating position. When transferring from the wheelchair to the standing aid, the seat, unlike the old model, can always remain horizontal and align to the user's seating level by adjusting the aid height.

<2> The sliding footplates, which are independent and adjustable in depth, reduce the distance between the person in the wheelchair — or sitting — and the base of the structure. This helps transfer the user's feet onto the standing aid. The footplates can be adjusted even when the user is on them.

1 - ADJUSTING THE STRUCTURE IN HEIGHT:

the support structure adapts to the user's height easily and with no effort as it is operated electrically or by gas spring. Adjustment can also be made by the user in a quick and easy way, with no need for external help even when they are already standing. The knee, lateral and trunk supports are adjusted accordingly, for greater safety and comfort of the user.



AV 14 2320 EASY UP 2320
gas spring height adjustment,
electric lift

AV 14 2420 EASY UP 2420
electric height adjustment,
electric lift

For more information:



ENGLISH EDITION

EASYUP

Models with elongated seat which helps the user transfer from the wheelchair to the aid.

It is also possible to use the shaped pocket accessory code AC0048 to be ordered separately, to further ease accessibility.

AV 14 4320 EASY UP 4320

gas spring height adjustment, electric lift with elongated seat

AV 14 4420 EASY UP 4420

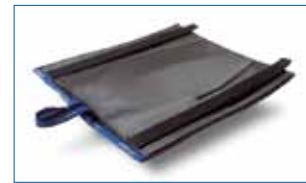
electric height adjustment, electric lift with elongated seat



The model shown is code AV 14 4320

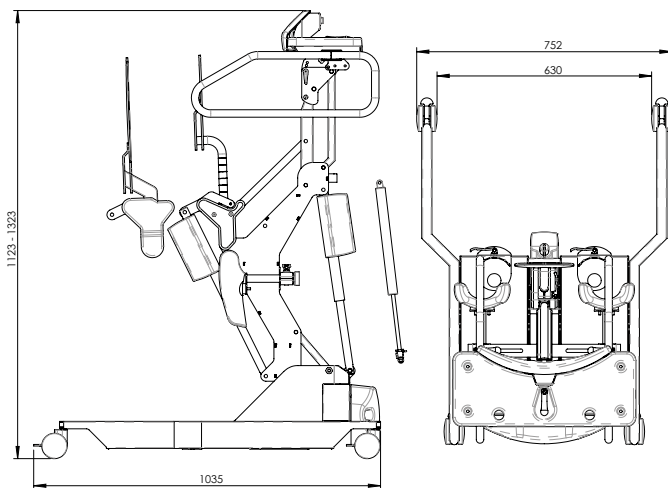
FITTING THE "SHAPED POCKET" ACCESSORY To further ease accessibility

<3> The elongated seat is inserted into the shaped pocket located under the anti-decubitus cushion. It may be advisable that the user is watched or assisted by a carer if they are not strong enough to insert the seat into the shaped pocket.



POCKET FOR LONG SEAT
can be used with mod. AV 14 4320
-AV 14 4420 to facilitate transfer to the wheelchair

TECHNICAL DATA



DESCRIPTION	EASY UP SERIES
Handles-thoracic support assembly	movable, can be lifted up
Servo-assisted lift	electric
Structure height adjustment	electric or gas
Overload protection	electronic
Overload indicator	acoustic and visual
Parking brake	on all 4 castors
Frame height from ground	31 mm
Operation time (lift)	about 30 lift cycles with user weighing 140 kg and charged batteries
Average battery charging time	6-8 hours
Battery charging level	multi-color display on equipment
Auto off	as standard
Fault diagnostics and maintenance	on display
Lift stop button	as standard
Lift stop button inhibit	as standard

Each model is ready to be fitted with a series of accessories
Particularly for the EASY UP Series, there are some specific accessories that restrain the sides and back.



The standing sequence shown has been performed using the model EASY UP with seat - code AV 14 2420



REHABILITATION and MEDICAL EQUIPMENT